

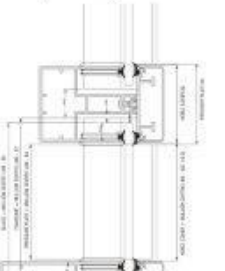


Superior Glazing

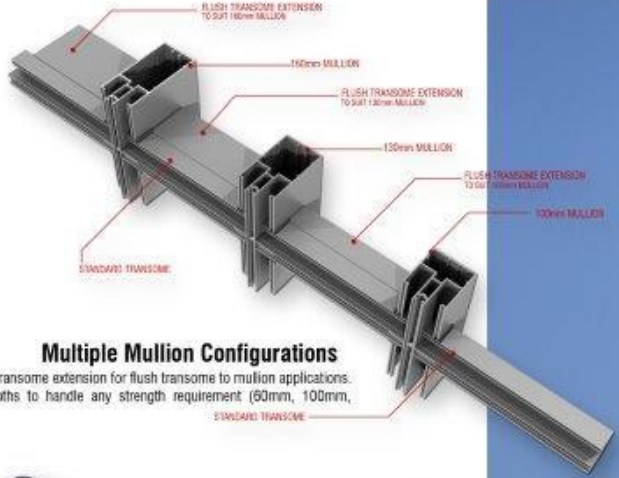
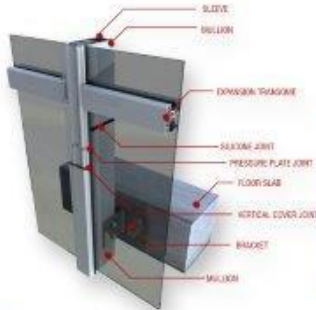
Because of its positive pressure glaze system, Vistawall does not distort the glazing and adds a stylish aesthetic with its visible mullion and transome face plates.

Seperate Covers

Face plate and mullion are separate allowing for two colour option on design.



Expansion Capabilities

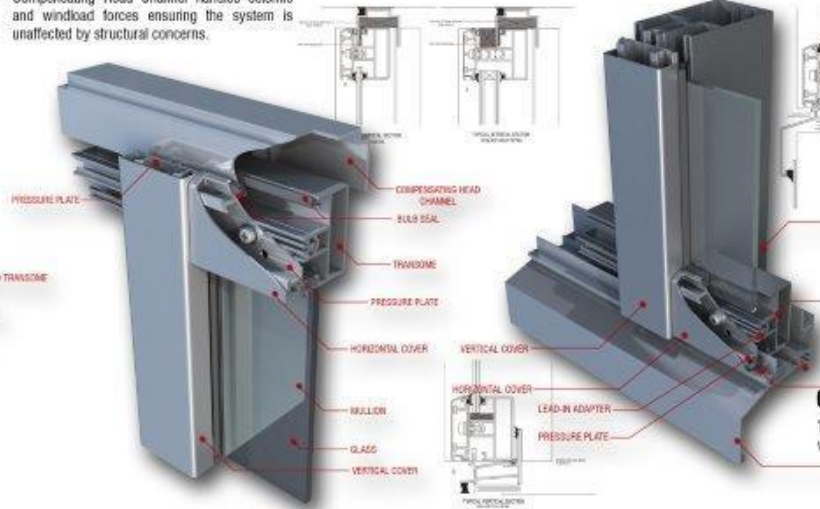
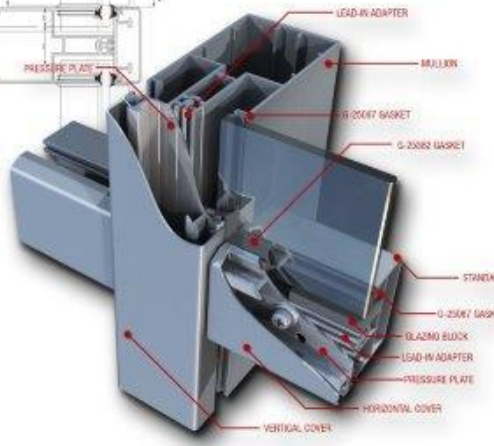


Multiple Mullion Configurations

Vistawall features a transome extension for flush transome to mullion applications. Multiple mullion depths to handle any strength requirement (80mm, 100mm, 150mm, 210mm)

Compensation

Compensating Head Channel handles seismic and windload forces ensuring the system is unaffected by structural concerns.



Vent option available

Cill Options

Two cill options for different mounting and weathering environments.



New Horizontal Cover Option Available



SHEERWALL CW60 VISTAWALL CURTAIN WALL

